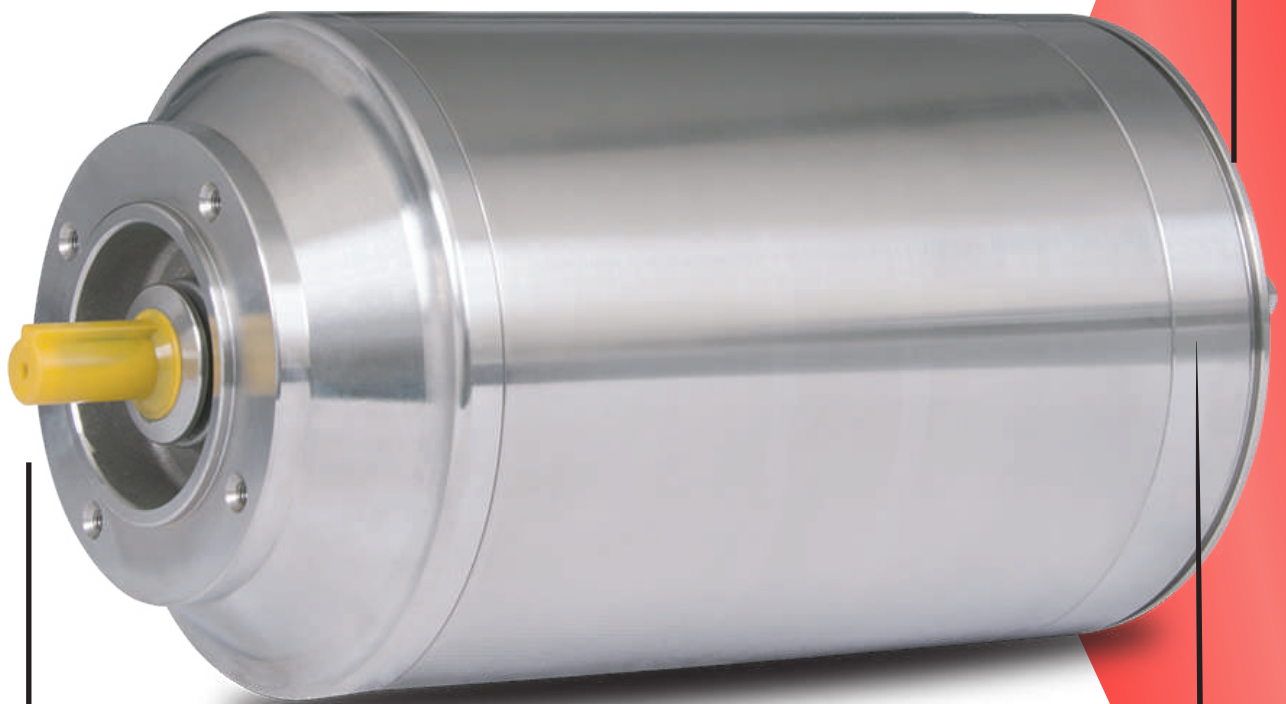


Ortlinghaus

MAAT

Hygienic Washdown Electric Motors - IP69K



**Stainless Steel Washdown Electric Motors and
Aluminum NTT[®] Washdown Electric Motors**

RUST NO MORE

MAAT

Hygienic Washdown IP69K Electric Motors



IP69 K
DIN 40050/IEC60529



IE3 Efficiency
from 0,75 kW



Suitable for
Inverter Duty
Operation



Hygienic cable
gland certified
<<EH ED6>>



Smooth tubular
casing without
welding



Back terminal
box for easy
connection



Suitable for:

Food Processing and Handling,
Pharmaceutical Industry and
other applications requiring
extreme hygiene and very
frequent washdowns.

To meet specific needs of all
industrial applications, MAAT
electric motors come in **2 different
materials:**

Stainless Steel and **NTT[®] Aluminum**.

Stainless Steel 316L - 1st Option

0,12 - 1,5kW

4 poles

IEC 63 to 90 B5 B14, NEMA 56C

IP69K degree of protection

Class F - IC410 - DUTY S1

Stainless Steel 316L IE3



Very High
Resistance to
Corrosive Agents

Aluminum NTT[®] - 2nd Option

0,12 - 1,5kW

4 poles

IEC 63 to 90 B14

IP69K degree of protection

Class F - IC410 - DUTY S1

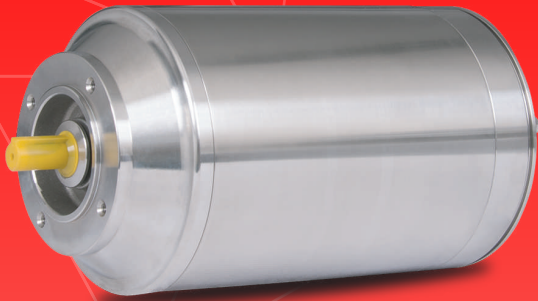
Aluminum «Hi-Cleaning» IE3
with NTT coating



Moderately High
Resistance to
Corrosive Agents

MAAT

Hygienic Washdown IP69K Electric Motors



Stainless Steel 316L «PREMIUM» motors

When **food, beverage or pharmaceutical** production plants are washed down, the motors are often subjected to **high pressure and high temperature water jets** and aggressive cleaning agents.

MAAT Stainless Steel Motors AISI 316L

MAAT stainless steel motors can withstand the most aggressive operating conditions, that on the contrary can damage other kind of motors, or even contaminate the end product.

MAAT motors are specially designed to reduce areas where bacteria can lurk and waste products can be washed away easily leaving no residue.

MAAT Aluminum NTT® “Hi-Cleaning” motors

MAAT aluminum motors are recommended where there are no extreme conditions that require a stainless steel solution.

These motor are painted with a **patented “Hi-Cleaning” coating NTT®** with nano particles, which make the surface very easy to clean and resistant to major aggressive agents used in sanitizing.

This **innovative coating** can withstand corrosive agents, dirt, abrasion and it complies with UNI EN1186/1:2003 Materials and articles in contact with food-stuffs and European directives 2002/72/CEe 1935/2004/CE.

More technical features:

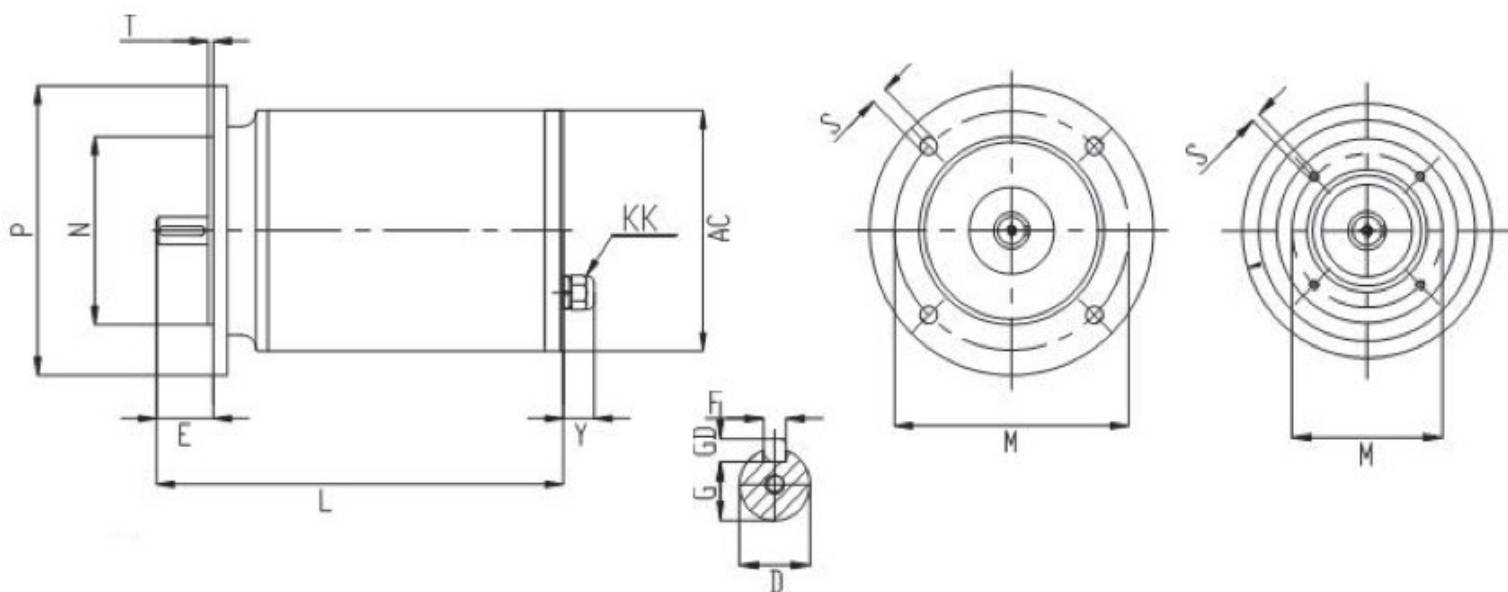
- ✓ Motor shaft is in 420 stainless steel with magnetic properties
- ✓ All screws in 316L stainless steel
- ✓ Sealing with O-Ring Viton on all couplings
- ✓ Totally enclosed non ventilated (IC410)
- ✓ Nameplate laser printed on the back cover
- ✓ No paint that flakes off
- ✓ PTO equipped as standard

Excellent resistance to corrosion, a reliable and durable solution where hygiene is essential.

p_N [kW]	Motor	n _N [min ⁻¹]	M _N	I _N [A]	cos φ	η			M/M _S N	M _{max} /M _N	I _S /I _N	J ₀ [kg m ²]	W B14 [kg]	W B5 *		
						100%	75%	50%								
0,12	MAAT 63 A	4	1440	0,8	0,44	0,57	-	72,0	-	-	3,5	4,5	7,5	0,0011	8,7	9,4
0,18	MAAT 63 B	4	1440	1,2	0,58	0,62	-	75,0	-	-	3,5	4,5	7,5	0,0015	10	10,7
0,25	MAAT 71 A	4	1440	1,7	0,7	0,64	-	77,0	-	-	4,0	5,0	8,0	0,0018	11,6	12,5
0,37	MAAT 71 B	4	1440	2,5	1,1	0,64	-	79,0	-	-	4,0	5,0	8,0	0,0023	13,5	14,4
0,55	MAAT 80 A	4	1460	3,6	1,5	0,67	-	81,0	-	-	4,5	5,4	9,0	0,0041	19	21
0,75	MAAT 80 B	4	1460	4,9	2,1	0,67	IE3	82,5	80,9	77,8	4,9	5,6	8,4	0,0053	22	24
1,1	MAAT 90 S	4	1460	7,2	2,9	0,70	IE3	84,1	81,8	80,7	4,8	6,0	9,0	0,0075	27	28,5
1,5	MAAT 90 L	4	1460	9,8	4,0	0,70	IE3	85,3	83,7	83,2	4,8	6,0	9,5	0,010	33	34,5

* stainless steel option only.

Size	Bearings		CableGlands	IMB5						IMB14					
	DE	NDE	KK	M	N	P	R	n x S	T	M	N	P	R	n x S	T
63	6202 2RZ	6202 2RZ	M16X1.5	115	95 J6	140	≤0	4x10	3	75	60 j6	90	≤0	4xM5	2,5
71	6202 2RZ	6202 2RZ	M20X1.5	130	110 J6	160	≤0	4x10	3,5	85	70 j6	105	≤0	4xM6	2,5
80	6205 2RZ	6203 2RZ	M20X1.5	165	130 J6	200	≤0	4x12	3,5	100	80 j6	120	≤0	4xM6	3
90S/L	6205 2RZ	6203 2RZ	M25X1.5	165	130 J6	200	≤0	4x12	3,5	115	95 j6	140	≤0	4xM8	3



Size	Shaft					General		
	D	E	F	G	GD	AC	Y	L
63A								229
63B	11 J6 M4	23	4	8,5	4	131	22	244
71A								266
71B	14 J6 M5	30	5	11	5	131	25	286
80A								280
80B	19 J6 M6	40	6	16	6	166	25	305
90S								345
90L	24 J6 M8	50	8	20	7	166	30	390



NEW ENERGY FOR YOUR BUSINESS

Ortlinghaus

Distributed by: Ortlinghaus GmbH Industriestrasse 4 CH-9473 Gams
+41 81 772 25 00 info@ortlinghaus.ch